

# IP EXPERIENCE



**IP GAME STORM – Database  
per ricerche brevettuali ESPACENET**

**Filippo Silipigni**, Project Manager, Fondazione Politecnico di Milano

# Premessa

Nell'approfondimento delle vicende storiche trasmesse, potresti aver bisogno di verificare chi ha depositato un brevetto, il titolare dell'invenzione, date di deposito, paesi protetti etc , in base a quanto riterrai opportuno stimolato da interesse e curiosità personali.

Queste informazioni non si trovano su articoli o enciclopedie online, ma solo nei database dedicati ai documenti brevettuali.

Di seguito richiamiamo alcune nozioni per l'accesso e la ricerca di documenti brevettuali presso il **database online gratuito Espacenet** dell'Ufficio Europeo Brevetti – EPO.

Nelle slide sono riportate molte più informazioni rispetto alle ricerche che ti potrebbero servire per l'iniziativa di IP Game storm.

Ti segnaliamo:

- Di utilizzare l'interfaccia classica di Espacenet, nella modalità *'Advanced search'*, come indicato più avanti;
- Le ricerche su Espacenet si possono eseguire in inglese, francese o tedesco, non in italiano;

Infine, se in caso di dubbi e/o necessità non esitare a contattarci!

[ipexperienceproject\[AT\]gmail.com](mailto:ipexperienceproject[AT]gmail.com)



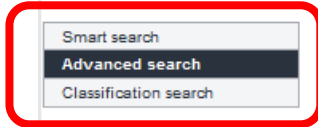
<http://worldwide.espacenet.com>

<http://worldwide.espacenet.com>

Recentemente il portale Espacenet ha implementato una nuova interfaccia.

**Consigliamo l'utilizzo dell'interfaccia classica 'CLASSIC' più chiara ed intuitiva**





Quick help

- How many search terms can I enter per field?
- How do I enter words from the title or abstract?
- How do I enter words from the description or claims?
- Can I use truncation/wildcards?
- How do I enter publication, application, priority and NPL reference numbers?
- How do I enter the names of persons and organisations?
- What is the difference between the IPC and the CPC?
- What formats can I use for the publication date?
- How do I enter a date range for a publication date search?
- Can I save my query?

Related links +

**Advanced search**

Select the collection you want to search in ⓘ  
 Worldwide - collection of published applications from 100+ countries ▼

Enter your search terms - CTRL-ENTER expands the field you are in

Enter keywords

Title: ⓘ plastic and bicycle

Title or abstract: ⓘ hair

Enter numbers with or without country code

Publication number: ⓘ WO2008014520

Application number: ⓘ DE201310112935

Priority number: ⓘ WO1995US15925

Enter one or more dates or date ranges

Publication date: ⓘ 2014-12-31 or 20141231

Enter name of one or more persons/organisations

Applicant(s): ⓘ Institut Pasteur

Inventor(s): ⓘ Smith


## Key features and Strengths:

- ✓ **Tre interfacce di ricerca:** Smart search, **Advanced Search**, Classification Search;
- ✓ **Copertura:**
  - Applications (A) and Granted patents (B) from **over 90 world wide patent authorities** (EP, WIPO, National Offices);
  - **Bibliographic data and Legal status information for all docs**;
  - Full text: only for docs in English, French and German language;
- ✓ **Opzioni di ricerca:**
  - Full text Search in English, French and German;
  - 10 predefined search fields;
  - Boolean Operators, Wild Cards;
- ✓ **LANGUAGE:**
  - **Interface language: DE, EN FR**
  - **Automatic translation tool**;

- ❖ Operatori Boleani
  - AND, OR, NOT
- ❖ Caratteri Jolly e troncamenti
  - \* car\* -> cars, carbon, carriage, carrynig, ...;
  - # car#on -> carton, carbon, ...;
  - ? clock? -> clocks, clock
- ❖ Ricerca stringa :
  - " " -> "seat belt" Il database restituirà documenti contenenti esattamente l'espressisone "seat belt";
- ❖ Ricerca in un intervallo di date:
  - : YYYYMMDD: YYYYMMDD
  - Esempio: *Publication Date 2000:2001* restituirà tutte le domande e brevetti pubblicati da 1-Jan-2000 al 31-Dec-2001.
- ❖ Parentesi per organizzare stringhe articolate:
  - Esempio: (mouse OR rat) AND (trap OR mousetrap)

# Patent database - ESPACENET



 **European Patent Office**  
Office européen des brevets

**Espacenet**  
Patent search

Contact  
Change country ▼

← About Espacenet Other EPO online services ▼

Search Result list My patents list (0) Query history Settings Help

Refine search → Results

Smart search  
Advanced search  
Classification search

Quick help --

- Can I subscribe to an RSS feed of the result list?
- What does the RSS reader do with the result list?
- Can I export my result list?
- What happens if I click on "Download covers"?
- Why is the number of results sometimes only approximate?
- Why is the list limited to 500 results?
- Can I deactivate the highlighting?
- Why is it that certain documents are sometimes not displayed in the result list?
- Can I sort the result list?
- What happens if I click on the star icon?
- What are XP documents?
- Can I save my query?

### Result list

Select all (0/20)  Compact

20 results found in the Worldwide database for:  
(mouse OR rat) AND (trap OR mousetrap) in the title AND US as the application number AND 2010:2016 as the publication date

Sort by  Sort order

1. **Safety for mouse trap**

★ Inventor: CRIDER JACQUELYN R [US] CRIDER SR JACK B [US]  
Applicant:  
CPC: A01M23/245 A01M23/30  
IPC: A01M23/30  
Publication info: USD611559 (S1) 2010-03-09  
Priority date: 2004-09-27

2. **Mouse and Rodent Trap**

★ Inventor: MAHONY MICHAEL J [AU]  
Applicant:  
CPC: A01M23/30  
IPC: A01M23/30  
Publication info: US2010223836 (A1) 2010-09-09 US7908790 (B2) 2011-03-22  
Priority date: 2006-08-08

3. **RAT TRAP**

 **Europäisches Patentamt**  
European Patent Office  
Office européen des brevets

**Espacenet**  
Patent search

<http://worldwide.espacenet.com>

# Patent database - ESPACENET

## NAVIGATION MENU

- US2010223836 (A1)
- Bibliographic data**
- Description
- Claims
- Message
- Original document**
- Cited documents
- Citing documents
- INPADOC legal status
- INPADOC patent family

### Quick help

- [What is meant by high quality text as facsimile?](#)
- [What does A1, A2, A3 and B stand for after a European publication number?](#)
- [What happens if I click on "In my patents list"?](#)
- [What happens if I click on the "Register" button?](#)
- [Why are some sidebar options deactivated for certain documents?](#)
- [How can I bookmark this page?](#)
- [Why does a list of documents with the heading "Also published as" sometimes appear, and what are these documents?](#)
- [Why do I sometimes find the abstract of a corresponding document?](#)
- [What happens if I click on the](#)

### Bibliographic data: US 2010 223836 (A1) — 2010-09-09

★ In my patents list    Previous ◀ 2 / 20 ▶ Next    ⓘ Global Dossier    📄 Report data error    🖨 Print

### Mouse and Rodent Trap

Page bookmark    [US2010223836 \(A1\) - Mouse and Rodent Trap](#)

Inventor(s):    MAHONY MICHAEL J [AU] ±

Applicant(s):

Classification:    - international: [A01M23/30](#)

- cooperative: [A01M23/30](#)

Application number:    [US20070376480](#) 20070807

Priority number(s):    [AU20060904287](#) 20060808 ; [WO2007AU01106](#) 20070807

Also published as    [US7908790 \(B2\)](#)    [WO2008017110 \(A1\)](#)    [AU2007283447 \(A1\)](#)    [AU2007283447 \(B2\)](#)

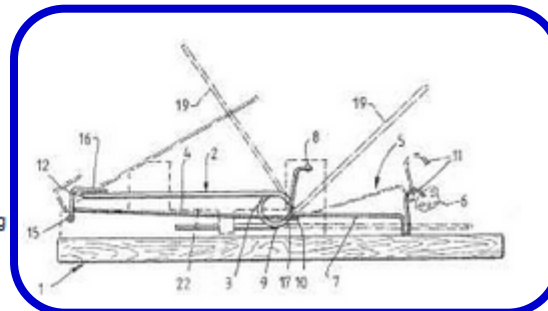
### Abstract of US2010223836 (A1)

Translate this text into ⓘ

Select language

patenttranslate powered by EPO and Google

A rodent trap includes a base, a hoop pivoting relative to the base having a first and a second position, a bias arrangement, a retaining bar pivoting relative to the base and having a setting and a releasing position, a release arrangement comprising an over-centre pivotally mounted keeper having first and second positions, the retaining bar including a locking lip to retain the hoop in a first set position when the retaining bar is in the setting position, the release arrangement for mounting a bait and release the retaining bar when subject to an upward force on the bait, the retaining bar automatically set to the setting position by drawing the hoop down onto the retaining bar against the bias and the retaining bar engaging a retaining lip of the release arrangement.



Per scaricare l'intero documento brevettuale in formato pdf

Documenti descrittivi della medesima invenzione in lingue differenti

Pulsante di traduzione automatica dell'intero testo

Immagine prima pagina

# Project Partners



Fondazione  
Politecnico  
di Milano



Project Website: [www.ip-experience.eu](http://www.ip-experience.eu)

Event Registration: [www.eventbrite.it](http://www.eventbrite.it)

Supported by:



## Project Managers:

- Cristina Areste – Universitat Politècnica de Catalunya
- Annalisa Balloi – Politecnico di Milano, Ufficio di Trasferimento Tecnologico;
- Giacinto Schiavulli– PoliHub, Innovation District & Startup Accelerator
- Filippo Silipigni – Fondazione Politecnico di Milano

*GR/001/19- Lot 2: Reaching consumers/citizens and especially young people;*  
Application reference N° 0185

## Contacts:

Gruppo di Esperti: [ipexperienceproject\[AT\]gmail.com](mailto:ipexperienceproject[AT]gmail.com)

Filippo Silipigni - [filippo.silipigni\[AT\]fondazione.polimi.it](mailto:filippo.silipigni[AT]fondazione.polimi.it)



Piazza Leonardo da Vinci, 32  
20133 Milano - Italy  
Tel. +39 02 2399 9107  
[www.fondazionepolitecnico.it](http://www.fondazionepolitecnico.it)



# IP EXPERIENCE

